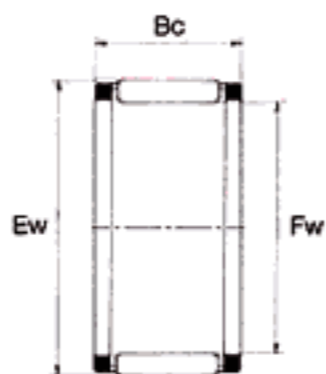


**NEEDLE ROLLER AND CAGE ASSEMBLY**



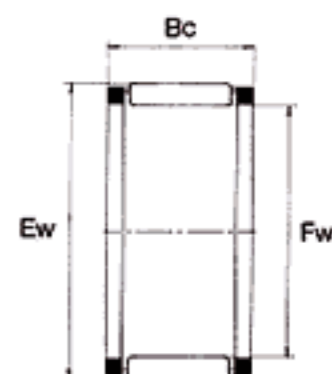
KT

**JNS:KT TYPE**

Dimensions (mm)			Basic dynamic load rating Cr N	Basic static load rating Cor N	Limiting speed 1) rpm	Designation KT	Weight g
Fw	Ew	Bc					
3	6	7	1 460	980	50 000	KT 367	0.4
4	7	7	1 770	1 270	45 000	KT 477	0.5
5	8	8	2 450	1 960	40 000	KT 588	0.7
6	9	8	2 750	2 350	38 000	KT 698	0.8
	9	10	3 040	2 650	38 000	KT 6910	1.5
7	10	13	4 410	3 730	38 000	KT 61013	2.7
	10	8	2 940	2 650	33 000	KT 7108	1
8	10	10	3 330	3 140	33 000	KT 71010	1.5
	11	8	3 140	3 040	32 000	KT 8118	1
9	11	10	3 630	3 630	32 000	KT 81110	2
	11	13	4 510	4 710	32 000	KT 81113	2.5
10	12	10	3 920	4 120	30 000	KT 91210	2.1
	12	13	4 810	5 390	30 000	KT 91213	2.8
10	13	10	4 120	4 510	28 000	KT 101310	2.3
	13	13	5 200	5 980	28 000	KT 101313	3
	14	10	4 900	4 710	28 000	KT 101410	3.2
	14	13	6 080	6 180	28 000	KT 101413	4.2

1) Suitable for oil lubrication. In case of grease lubrication, up to 60% of this value.

**NEEDLE ROLLER AND CAGE ASSEMBLY**



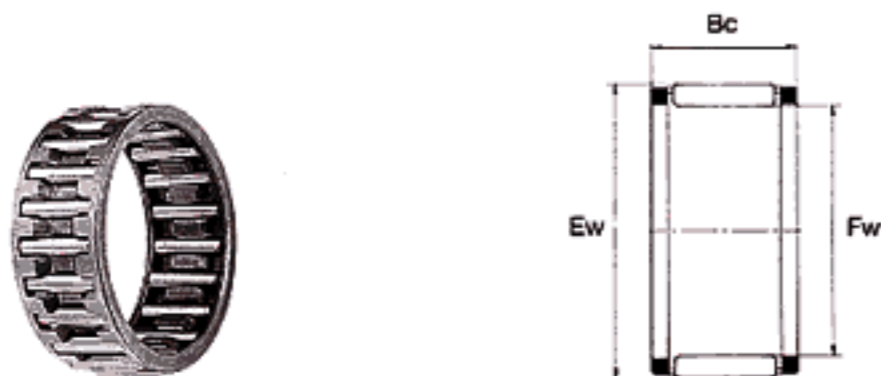
KT

**JNS:KT TYPE**

Dimensions (mm)			Basic dynamic load rating Cr N	Basic static load rating Cor N	Limiting speed 1) rpm	Designation KT	Weight g
Fw	Ew	Bc					
12	15	10	4 610	5 490	27 000	KT 121510	2.7
	15	13	5 690	7 260	27 000	KT 121513	3.6
	16	10	5 690	5 880	27 000	KT 121610	4
	16	13	7 060	7 850	27 000	KT 121613	5.2
14	18	12	9 020	8 430	27 000	KT 121812	7.8
	18	10	6 280	7 060	25 000	KT 141810	4.6
	18	13	7 850	9 410	25 000	KT 141813	6
15	20	12	9 810	9 710	25 000	KT 142012	8.7
	19	10	6 670	7 750	24 000	KT 151910	5
	19	13	8 240	10 200	24 000	KT 151913	6.4
16	19	17	10 890	14 510	24 000	KT 151917	8.2
	21	15	12 550	13 530	24 000	KT 152115	12
	20	10	6 960	8 340	23 000	KT 162010	5.2
	20	13	8 630	10 980	23 000	KT 162013	6.8
	20	17	11 380	15 690	23 000	KT 162017	8.7
17	22	12	10 490	10 890	23 000	KT 162212	9.7
	22	20	15 890	18 530	23 000	KT 162220	16.5
	24	20	18 440	19 020	23 000	KT 162420	23.5
17	21	10	7 260	8 920	22 000	KT 172110	5.5
	21	13	9 020	11 870	22 000	KT 172113	7.2
	21	17	11 870	16 870	22 000	KT 172117	9.3

1) Suitable for oil lubrication. In case of grease lubrication, up to 60% of this value.

**NEEDLE ROLLER AND CAGE ASSEMBLY**



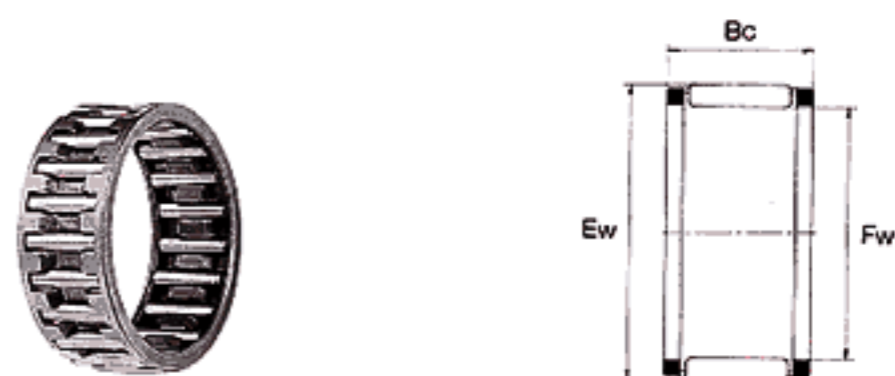
KT

**JNS:KT TYPE**

Dimensions (mm)	Basic dynamic load rating	Basic static load rating	Limiting speed	Designation	Weight		
						Fw	Ew
18	22	10	7 450	9 510	21 000	KT 182210	5.8
	22	13	9 320	12 650	21 000	KT 182213	7.6
	24	12	11 770	13 040	21 000	KT 182412	11
	24	20	17 850	22 360	21 000	KT 182420	18.7
	25	22	20 590	24 220	21 000	KT 182522	24.5
20	24	10	7 750	10 200	20 000	KT 202410	6.3
	24	13	9 610	13 530	20 000	KT 202413	8.3
	24	17	12 650	19 320	20 000	KT 202417	10.6
	26	12	12 360	14 320	20 000	KT 202612	12
	26	17	16 770	21 280	20 000	KT 202617	17
	26	20	18 730	24 420	20 000	KT 202620	20.5
	28	20	21 480	24 220	20 000	KT 202820	29
22	26	10	8 240	11 470	19 000	KT 222610	7
	26	13	10 200	15 200	19 000	KT 222613	9.1
	26	17	13 440	21 570	19 000	KT 222617	11.6
	28	17	17 550	22 950	19 000	KT 222817	18.4
	29	16	17 550	20 890	19 000	KT 222916	21
	30	15	17 950	19 610	19 000	KT 223015	23.5
24	28	13	10 790	16 770	18 000	KT 242813	10
	29	13	12 650	17 650	18 000	KT 242913	12.8

<sup>1)</sup> Suitable for oil lubrication. In case of grease lubrication, up to 60% of this value.

**NEEDLE ROLLER AND CAGE ASSEMBLY**



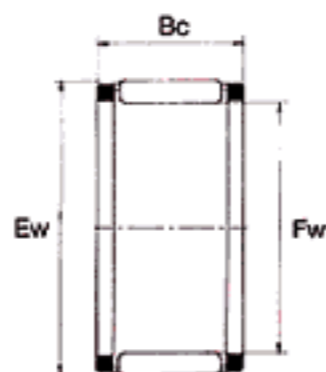
KT

**JNS:KT TYPE**

Dimensions (mm)	Basic dynamic load rating	Basic static load rating	Limiting speed	Designation	Weight		
						Fw	Ew
25	29	10	8 920	13 340	17 000	KT 252910	8
	29	13	11 080	17 550	17 000	KT 252913	10.3
	30	13	13 040	18 630	17 000	KT 253013	13.3
	30	20	18 530	29 030	17 000	KT 253020	20
	31	17	18 930	26 480	17 000	KT 253117	20.5
	32	16	19 420	24 520	17 000	KT 253216	23.5
	35	30	39 030	48 050	17 000	KT 253530	58
26	30	13	11 380	18 440	16 000	KT 263013	10.7
28	33	13	13 830	20 690	16 000	KT 283313	15
	33	17	18 240	29 520	16 000	KT 283317	19
	33	27	26 380	47 270	16 000	KT 283327	29
	34	17	20 300	29 910	16 000	KT 283417	23
	35	16	20 100	26 480	16 000	KT 283516	26
	30	35	13	14 120	21 670	14 000	KT 303513
35		17	18 630	31 090	14 000	KT 303517	20
35		27	27 850	52 070	14 000	KT 303527	31.5
37		16	20 790	28 340	14 000	KT 303716	27.5
32	37	13	14 810	23 730	14 000	KT 323713	16.7
	37	17	19 610	33 930	14 000	KT 323717	21.5
	38	20	24 810	40 310	14 000	KT 323820	31.5
	39	16	21 570	30 200	14 000	KT 323916	29

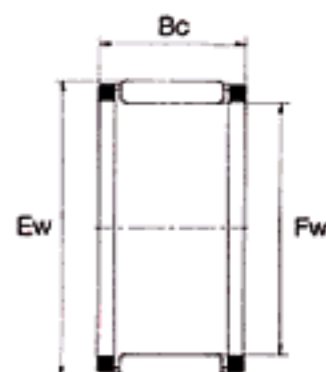
<sup>1)</sup> Suitable for oil lubrication. In case of grease lubrication, up to 60% of this value.

NEEDLE ROLLER AND CAGE ASSEMBLY



KT

NEEDLE ROLLER AND CAGE ASSEMBLY



KT

JNS:KT TYPE

Dimensions (mm)			Basic dynamic load rating Cr N	Basic static load rating Cor N	Limiting speed rpm <sup>1)</sup>	Designation KT	Weight g
Fw	Ew	Bc					
35	40	13	15 490	25 790	12 000	KT 354013	18.1
	40	17	20 500	36 870	12 000	KT 354017	23
	42	16	23 050	33 830	12 000	KT 354216	32
	42	18	25 990	39 520	12 000	KT 354218	35.5
	42	20	27 360	42 270	12 000	KT 354220	40.5
	42	30	40 700	70 310	12 000	KT 354230	59
36	42	16	21 870	35 700	12 000	KT 364216	27.5
38	46	20	30 500	45 400	11 000	KT 384620	50
	46	32	45 310	75 610	11 000	KT 384632	80
40	45	13	16 770	29 810	10 000	KT 404513	20.5
	45	17	22 100	42 660	10 000	KT 404517	26.5
	45	27	32 360	69 230	10 000	KT 404527	41
	48	20	31 480	47 950	10 000	KT 404820	52.5
42	47	17	22 460	44 130	10 000	KT 424717	27.5
	50	20	32 360	50 700	10 000	KT 425020	55
45	50	17	23 240	47 170	10 000	KT 455017	29.5
	50	27	34 810	79 040	10 000	KT 455027	46
	53	20	33 240	53 350	10 000	KT 455320	58
50	55	20	27 070	59 330	9 000	KT 505520	38.5
	58	20	35 890	61 100	9 000	KT 505820	65
	58	25	44 910	81 390	9 000	KT 505825	80

1) Suitable for oil lubrication. In case of grease lubrication, up to 60% of this value.

JNS:KT TYPE

Dimensions (mm)			Basic dynamic load rating Cr N	Basic static load rating Cor N	Limiting speed rpm <sup>1)</sup>	Designation KT	Weight g
Fw	Ew	Bc					
55	60	20	28 540	66 000	8 000	KT 556020	42.5
	60	27	37 660	93 850	8 000	KT 556027	55.5
	63	15	29 420	48 740	8 000	KT 556315	52.5
	63	20	37 360	66 390	8 000	KT 556320	71
	63	25	46 780	88 550	8 000	KT 556325	87
	60	65	20	29 620	71 000	7 000	KT 606520
68		20	38 930	71 690	7 000	KT 606820	76.5
68		25	48 640	95 610	7 000	KT 606825	94
68		27	52 370	104 930	7 000	KT 606827	101
65	73	30	59 330	127 490	7 000	KT 657330	124
70	78	30	61 190	135 330	6 000	KT 707830	132
72	80	20	43 250	87 570	6 000	KT 728020	91.5
75	83	30	63 150	144 160	6 000	KT 758330	141
	83	35	71 200	168 670	6 000	KT 758335	164
80	88	30	64 920	152 980	5 000	KT 808830	149
90	98	30	69 530	173 580	4 500	KT 909830	167
95	103	30	70 900	182 400	4 500	KT 9510330	175
100	108	30	72 570	191 230	4 000	KT 10010830	184

1) Suitable for oil lubrication. In case of grease lubrication, up to 60% of this value.