

*GMN Laser Scanner History*

*Applications for GMN Laser Scanner*

*Specific features of GMN Scanner*

*Ball Bearing versus Air Bearing*

*Selection principles and Project planning*

*Tables of overview*

*Data sheets*

*Diagram of driver system*

*Compressor for dry and oil free compressed air*

*Customized Solutions*























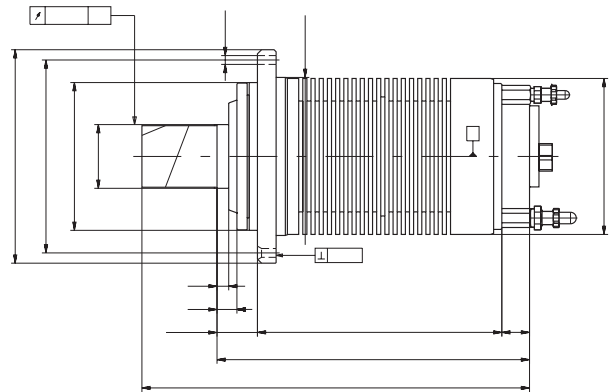




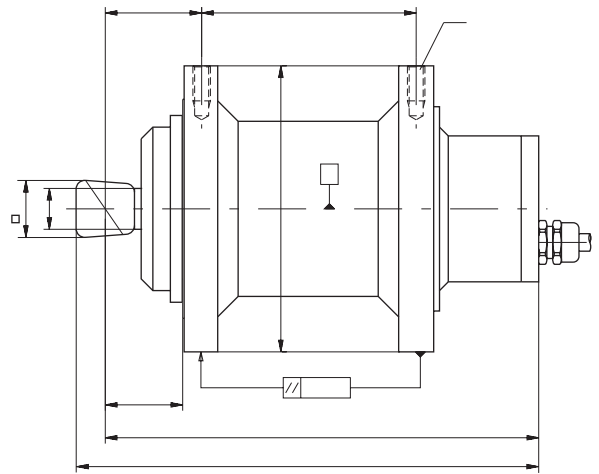




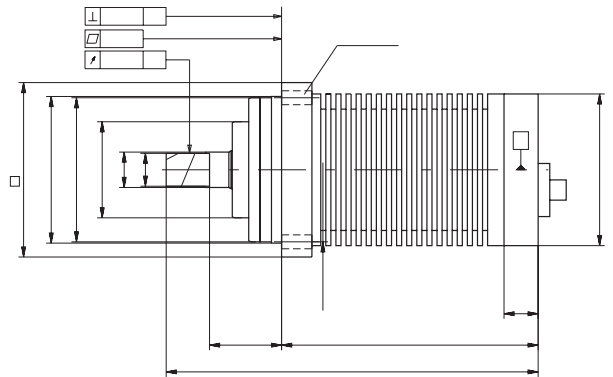
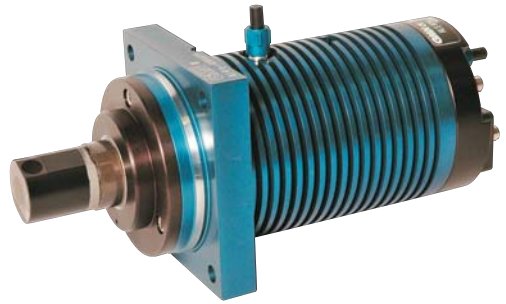


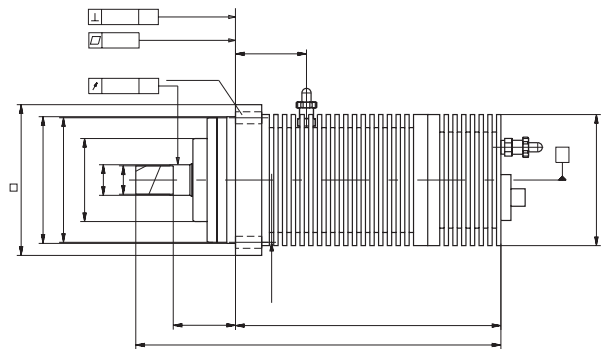
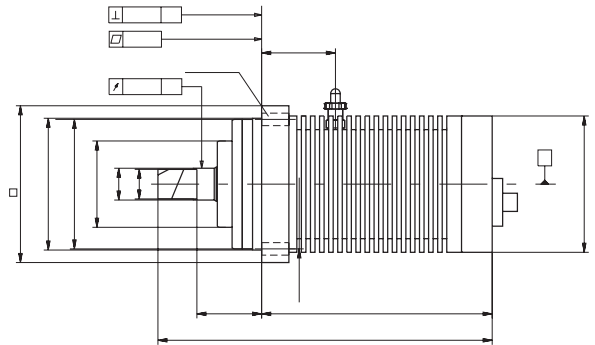


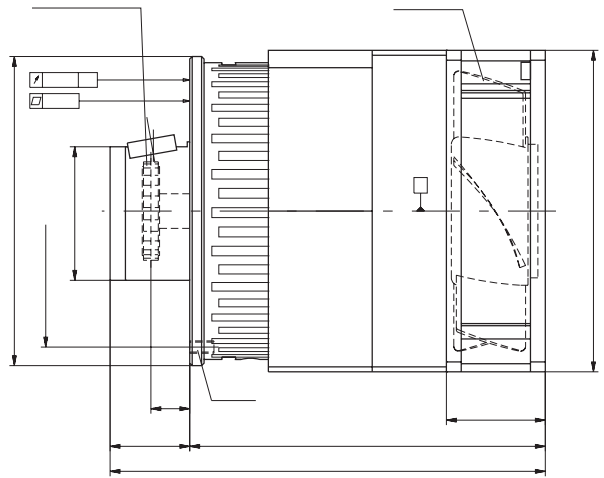


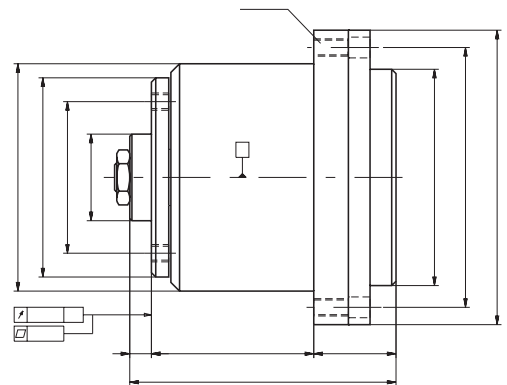
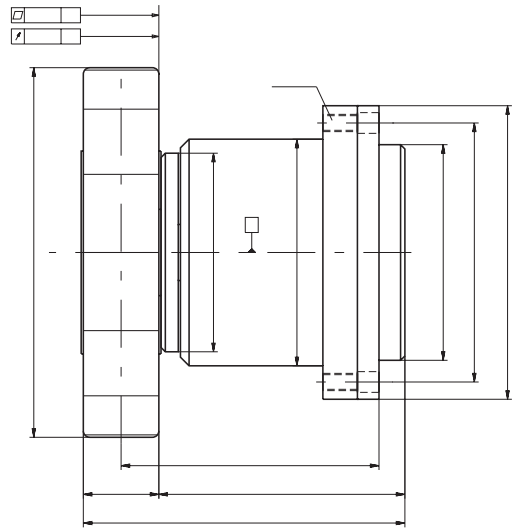


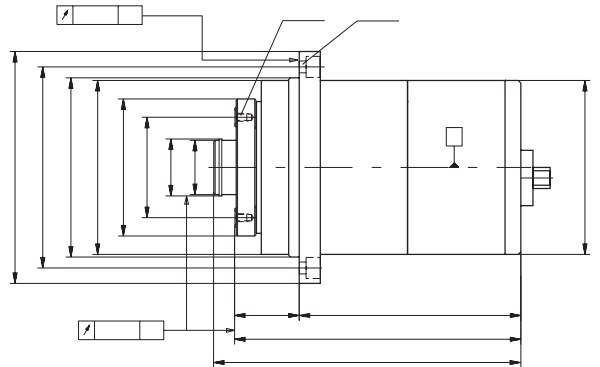
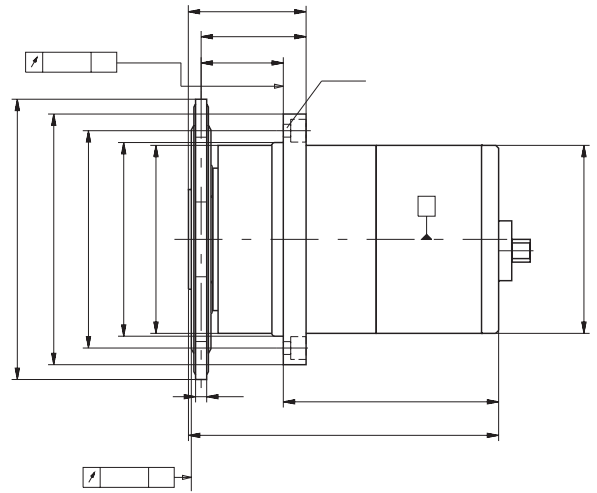
# GMN GMN

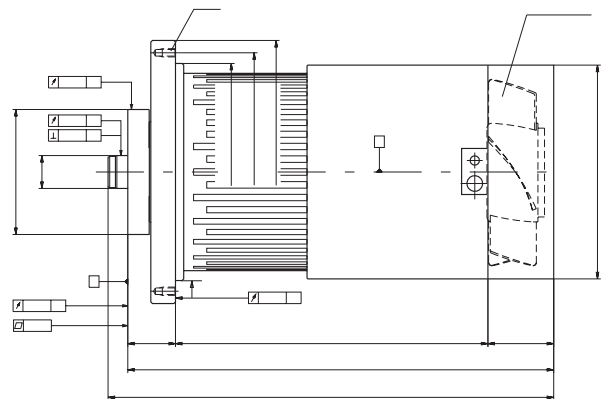
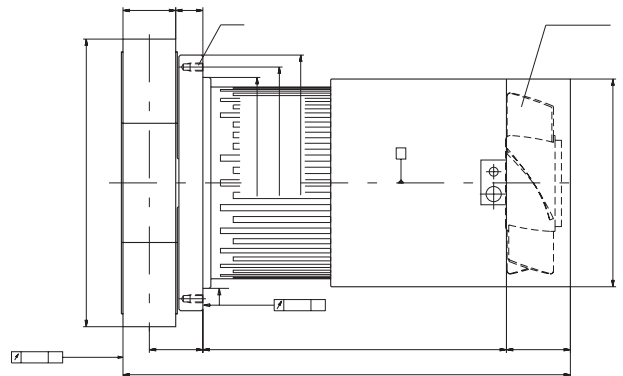
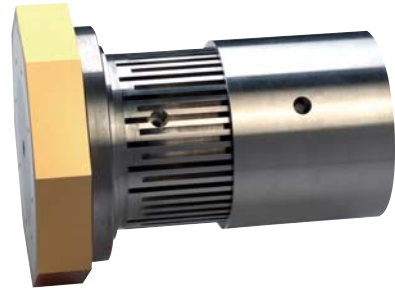


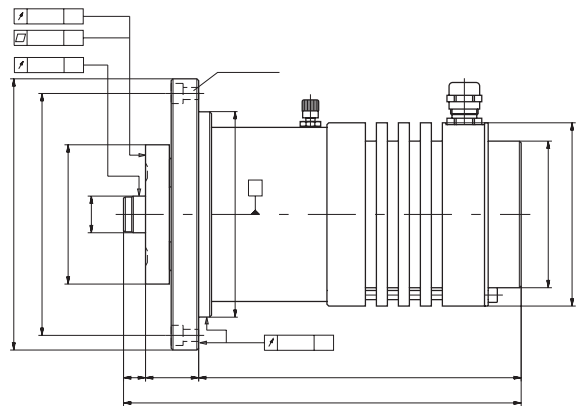
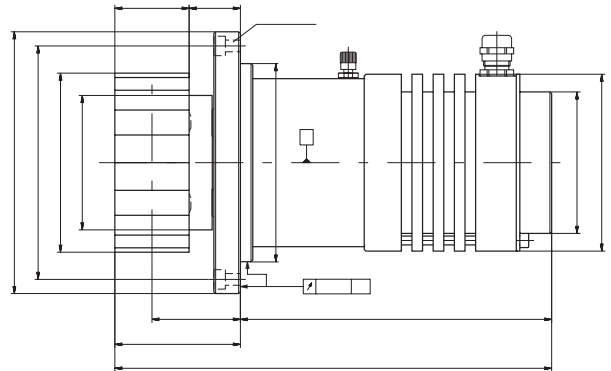






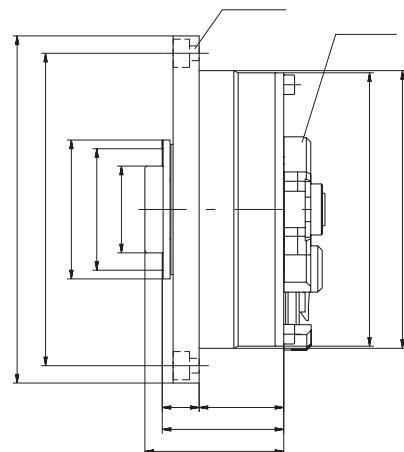
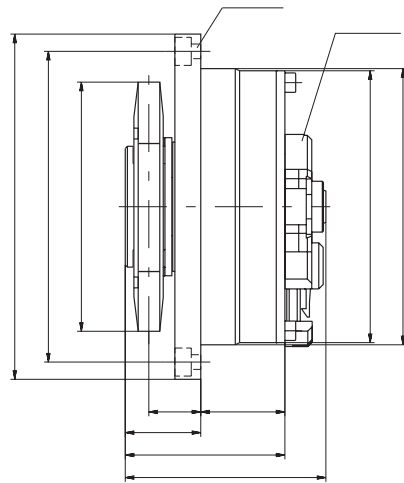


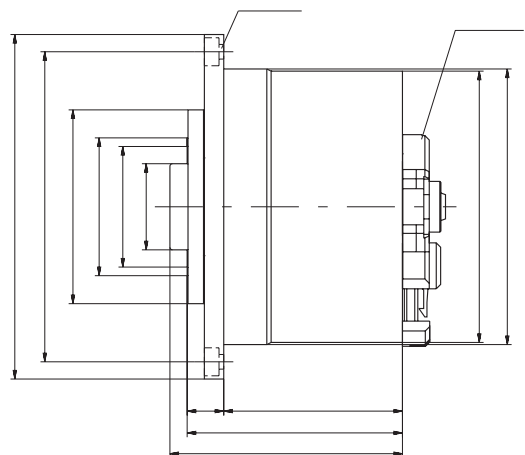
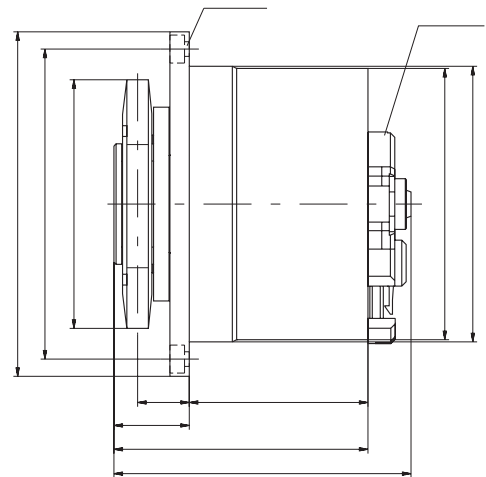


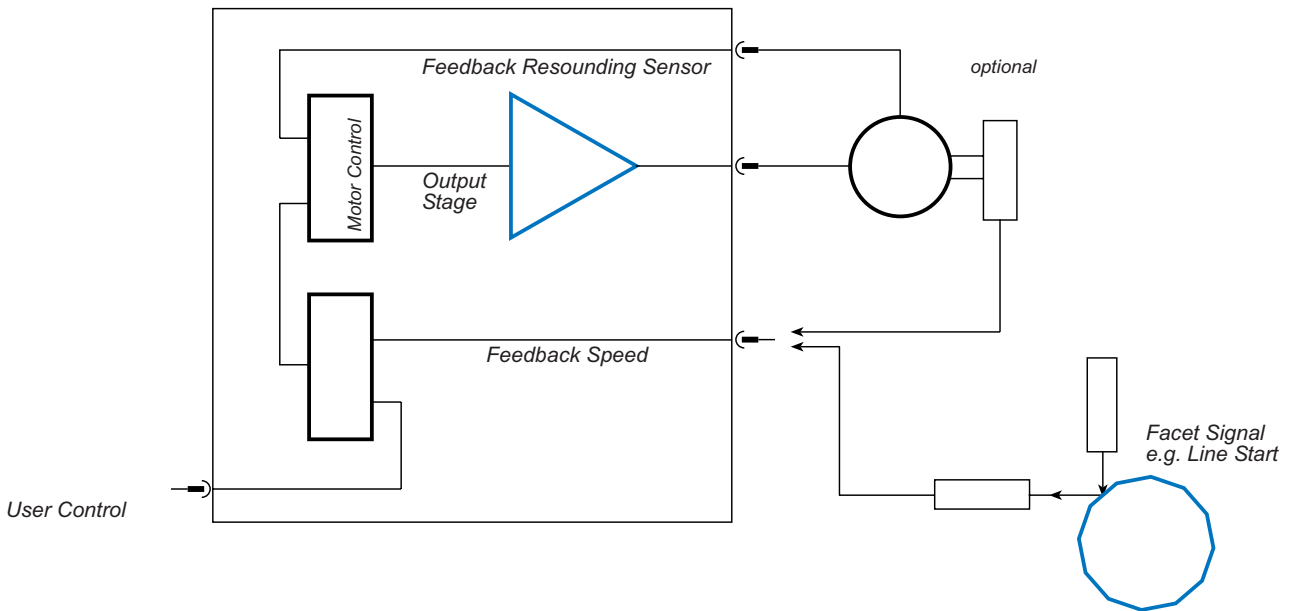
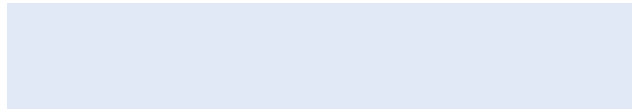
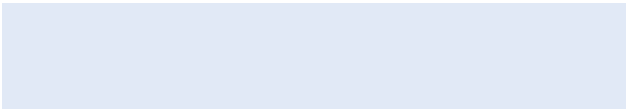




# GMN **GMN**







# GMN **GMN**

